

1

2

3

4

5

6

A

A

B

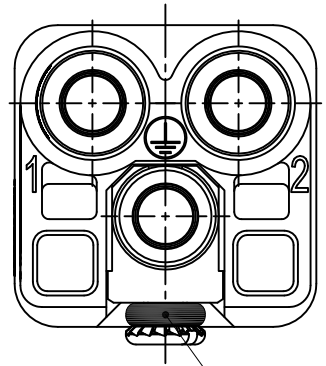
B

C

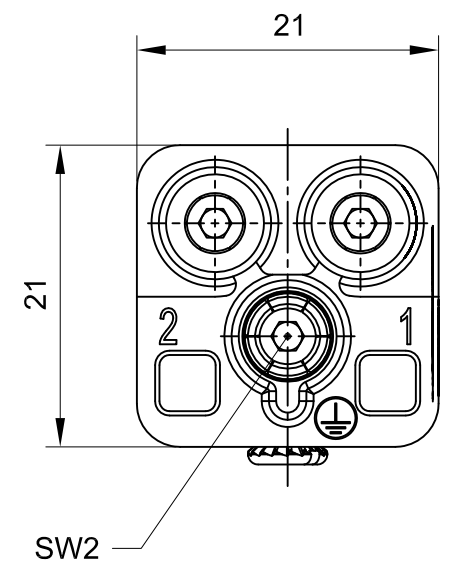
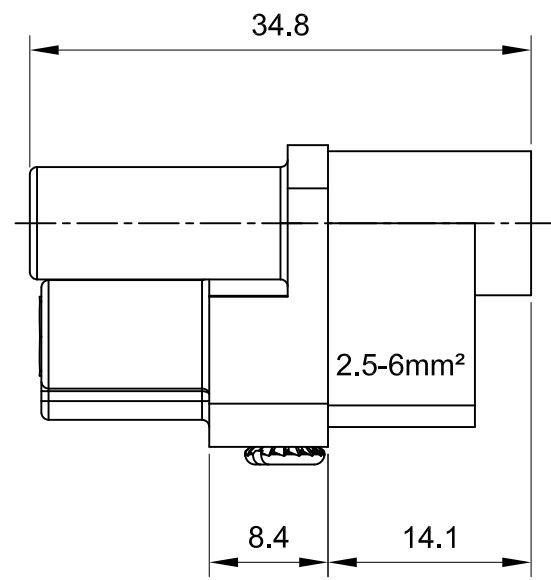
C

D

D

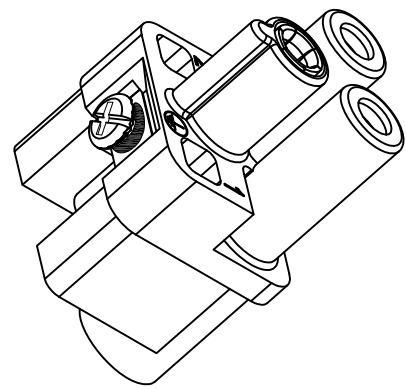
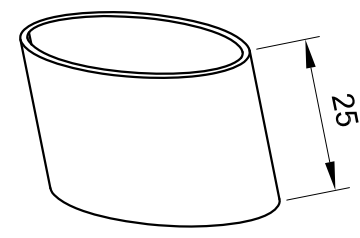



M3x6



SW2

Shrink tubing



 InKonn (Suzhou) Electric Technology Co.,Ltd.	All Dimensions in mm Original Size DIN A4	Date 2019-12-10	Drawing No. TC2668027	Rev. A00	Scale 2:1
	Part No. 10 36 002 1210	Created by Shuxu Huang	Checked by Yiyi Luo	Page 1/1	
Type Name IQHV-002.1-F					

1

2

3

4

5

6